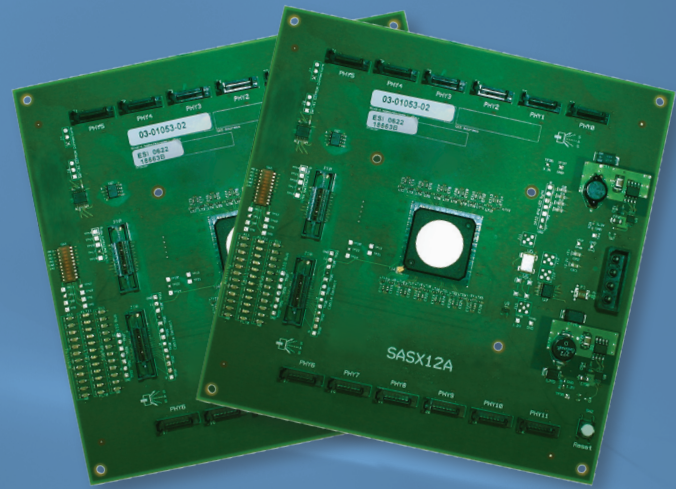


SAS (SATA) EXPANDER CARD

This Serial Attached SCSI expander is ideal for servers and storage systems in storage environments requiring high performance, scalability, and flexibility in design.

APPLICATIONS

- Enterprise servers
 - 1U/2U rack mount servers
 - Blade servers
 - Tower servers
- Storage subsystems
 - RAID
 - JBOD



FEATURES

- Edge expander with routing tables
- GigaBlaze™ integrated transceivers
- Gflx™ process technology
- 12 fully-independent SAS and SATA ports
 - One GigaBlaze integrated transceiver per port
 - Auto-negotiation on ports (SAS only)
 - SAS or SATA target
- Ports are non-denominational
 - Initiator or target connect
- Transport support
 - SSP protocol
 - STP protocol
 - SATA protocol
- Routing modes:
 - Direct
 - Subtractive decode
 - Table routing
- SATA/SAS HDD spin-up sequencing
- “Wide port” support
- External interfaces
- Voltage is +5V
- Dimensions 6.0” x 6.0”

OVERVIEW

The SASX12A is the industry’s first 3Gb/s Serial Attached SCSI (SAS) expander. It is fully compliant with the ANSI Serial Attached SCSI specification, with benefits including improved performance, simplified cabling, smaller connectors, a lower pin count, and lower power requirements. The SASX12A expander supports the Serial Attached SCSI Protocol (SSP), the Serial ATA Tunneling Protocol (STP), and the SAS Management Protocol (SMP) as defined in the SAS specification as well as the Serial ATA (SATA) protocol as defined in the Serial ATA standard. The SASX12A expander supports 1.5 and 3Gb/s data transfer rates per port. The SASX12A 12-port expander provides storage environments with the functionality of connecting multiple targets and initiators through a switched device. This is ideal for today’s data centers and storage subsystems, leveraging existing SCSI infrastructure for investment protection and ease of migration and implementation.

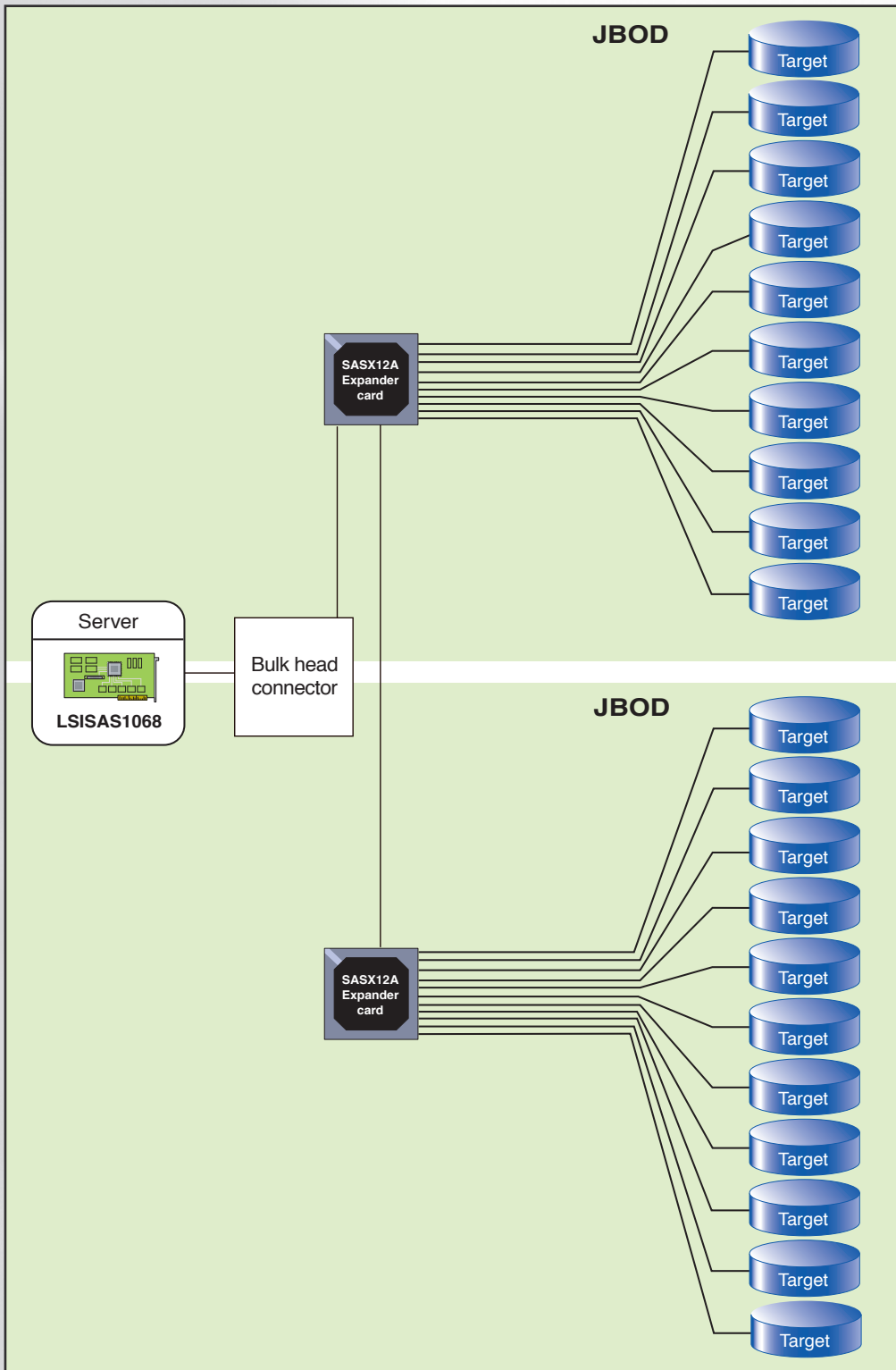
The expanders comply with the SAS standard which includes the proven SCSI command set, while allowing for point-to-point connection, increased device bandwidth, higher availability with dual-ported drives, and enhanced reliability when compared to parallel SCSI. In addition, SAS leverages an electrical and physical connection interface that is compatible with SATA technology. This interface compatibility allows for greater customer choice in drive connection, including the 2.5” hard disk drive small form factor.

www.condrestorage.com

15151 Technology Drive | Eden Prairie, MN 55344

952-294-4900 | Fax: 952-937-8365

CONDRE
STORAGE



OVERVIEW (continued)

The SASX12A expander supports STP, which extends the ATA protocol that is popular in many desktop configurations. The SASX12A enables addressing of multiple SATA targets by a single initiator and enables multiple initiators to address a single SATA target. The internal connectors allow for removable and non-removable drives starting with one target to eleven drives. By adding an additional expander card, twenty one drives are available for your JBOD or RAID.

The SASX12A SAS expander supports both initiator and target connections on any link for both SAS and SATA devices. The internal table routing support allows for the construction of larger end node topologies using the expander as a building block.

The SASX12A offers high performance, high disk drive connectivity, scalability, and flexibility in various storage environments as an alternative to today's expensive and complex JBOD and RAID offerings.

Call Condre Storage for our many SAS and SATA enclosure selections.